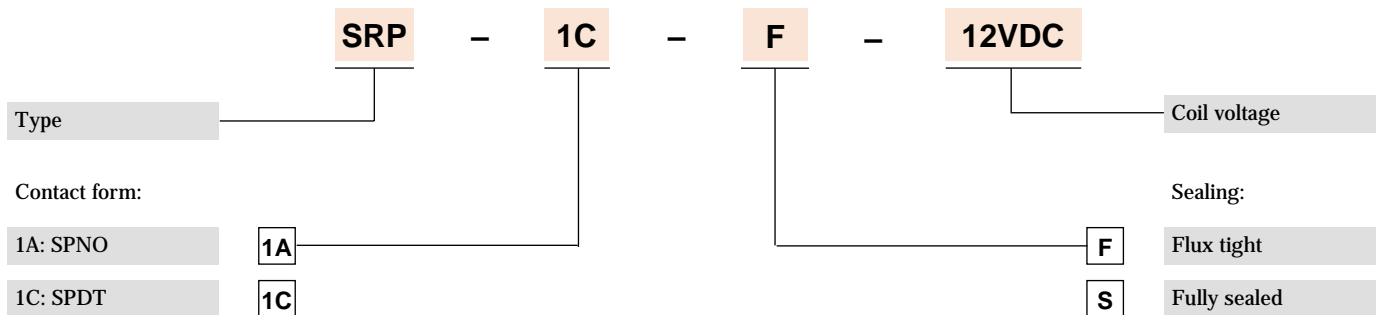


- Contact rating up to 16A/250V AC, TV-10
- Meets VDE 8 mm spacing, 4kV dielectric strength, coil to contact
- Standard type (flux tight) and plastic sealed type available
- Suitable for 5mm grid pattern
- UL/CSA recognised



Options and ordering codes



Contact rating

Contact form	1A, 1C
Maximum switching power	4000VA/480W
Maximum switching voltage	250VAC/125VDC
Maximum switching/carry current	20A
TV rating	TV-10 (1A only)

UL, CSA and TUV safety approval ratings available on request

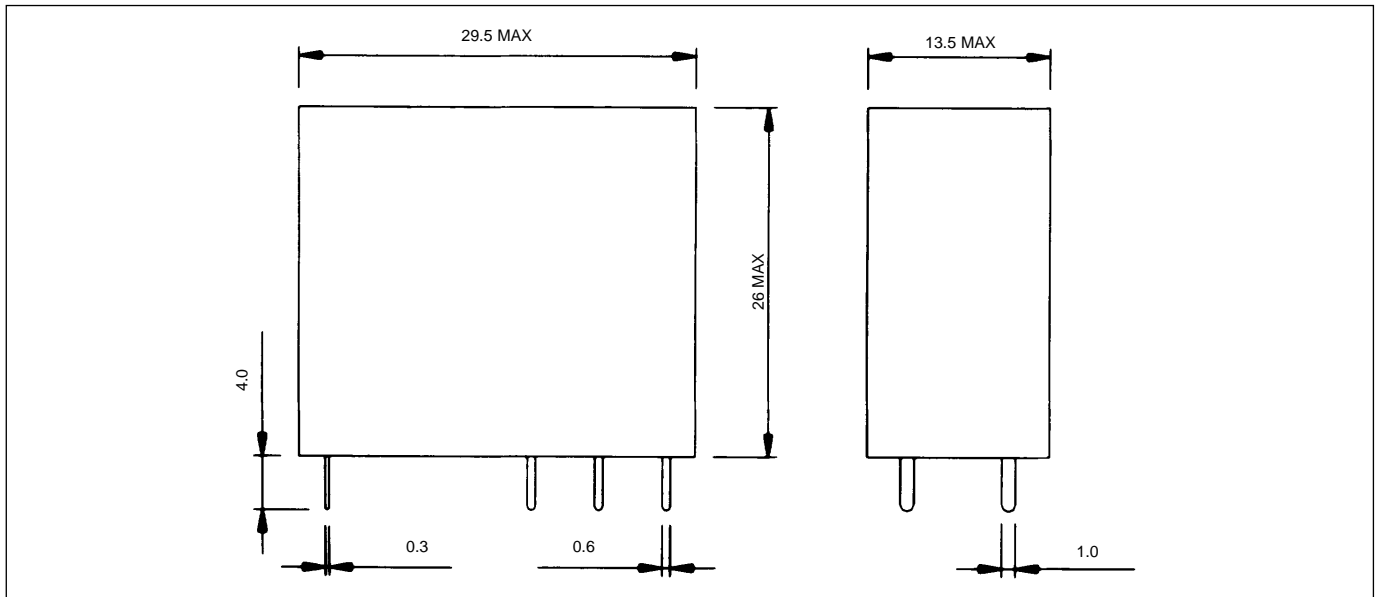
Specifications

Contact material	AgSnInO	
Initial contact resistance	30mΩ Max	
Operate time	20ms Max. (at rated voltage)	
Release time	10ms Max. (at rated voltage)	
Nominal operating power	Approx. 530mW	
Insulation resistance	1000MΩ at 500VDC	
Breakdown voltage	Between coil and contacts	5000VAC (for 1 minute) for 1A, 4000VAC for 1B, 1C (for 1 minute)
	Between open contacts	1000VAC (for 1 minute)
Vibration resistance	Operating extremes	10-55Hz, amplitude 1.5mm
	Damage limits	10-55Hz, amplitude 1.5mm
Shock resistance	Operating extremes	10G
	Damage limits	100G
Ambient temperature	-40 to +70°C	
Life expectancy	Mechanical	10 x 10 ⁸ operations (frequency 1,800 operations/hour)
	Electrical (at max load)	1 x 10 ⁸ operations (frequency 1,200 operations/hour)
Weight	17g	

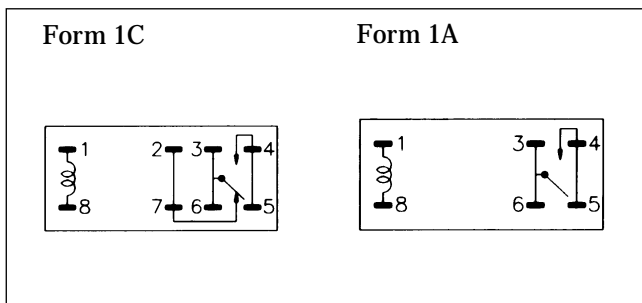
Coil specification

Rated voltage	Rated Current \pm 10% at 25°C (mA)	Coil Resistance \pm 10% at 25°C (Ω)	Max. continuous voltage at 25°C	Pick up voltage (Max) at 25°C	Drop out voltage (Min) at 25°C	Power consumption at rated load
3	176	17	130% of rated voltage	75% of rated voltage	10% of rated voltage	Approx. 530mW
5	105	47.7				
6	88	68				
9	60	150				
12	44	275				
18	29	618				
24	22	1100				
48	11	4400				
60	8	6800				

Dimensions mm



Wiring diagram



PCB layout

