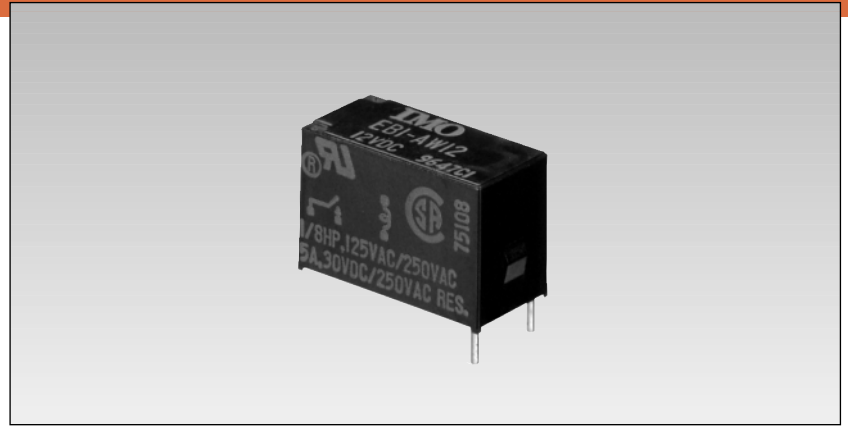


- 5 amp SPST-NO contact
- Fully sealed for immersion cleaning
- Nitrogen filled for long term integrity and performance
- High Isolation 2kV coil-contacts
- UL, CSA, SEV recognised
- Socket and socket type relay available



## Part Numbers

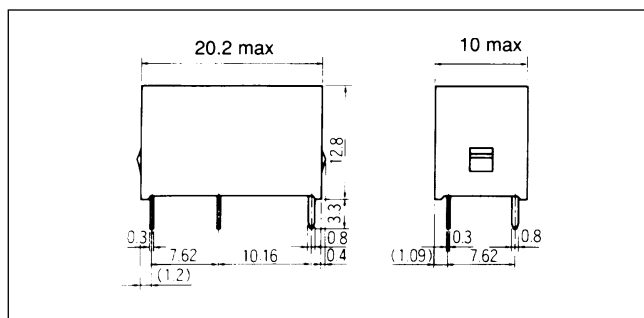
Part Number	Nominal Coil Voltage (VDC)	Coil Resistance ( $\Omega$ ) $\pm 10\%$ (at 20°C)	Must Operate Voltage (VDC) (at 20°C)	Must Release Voltage (VDC) (at 20°C)
EB1-AW5	5	125	3.5	0.25
EB1-AW12	12	720	8.4	0.60
EB1-AW24	24	2880	16.8	1.20
EB1-AW48	48	6400	32.6	2.40

Maximum coil voltage 130% nominal at 70°C maximum (130% at 45°C maximum for 48V coil)

## Specifications

<b>Contact form</b>		1A (SPNO)	
<b>Contact rating</b>	<b>Maximum switching power</b>	1250 VA	150 W
	<b>Maximum switching voltage</b>	250 VAC	150 VDC
	<b>Maximum switching current</b>	5A	
	<b>Maximum carrying current</b>	5A	
	<b>Minimum load (reference value)</b>	5V 10mA	
<b>Initial contact resistance</b>		30 m $\Omega$ maximum	
<b>Contact material</b>		Silver Alloy Au Plate	
<b>Nominal operating power</b>		200mW (360mW for 48V coil)	
<b>Operate time (excluding bounce) – at nominal voltage</b>		Approximately 4 mS (6 mS maximum)	
<b>Release time (excluding bounce) – at nominal voltage</b>		Approximately 2 mS without diode (3 mS maximum)	
<b>Insulation resistance</b>		1000 M $\Omega$ at 500 VDC	
<b>Breakdown voltage</b>	<b>Between open contacts</b>	750 VAC (for 1 minute)	
	<b>Between coil and contacts</b>	2000 VAC (for 1 minute)	
	<b>Surge strength</b>	4000 V (1.2 x 50 $\mu$ S impulse)	
<b>Shock resistance – 11 mS <sup>1/2</sup> sine</b>		10 G (misoperating) 100 G (endurance)	
<b>Vibration resistance</b>		10-55Hz 1.5mm pk-pk (misoperating) 4.5mm (endurance)	
<b>Ambient temperature – at nominal coil voltage</b>		-40°C to +85°C (+70°C for 48V coil)	
<b>Coil temperature rise</b>		30 to 40°C at nominal coil voltage	
<b>Life expectancy</b>	<b>Mechanical</b>	20 x 10 <sup>6</sup> operations	
	<b>Electrical</b>	1 x 10 <sup>6</sup> operations at 5A 250 VAC/30 VDC res	
<b>Weight</b>		Approx. 5 grams	

## Dimensions mm



## PCB layout and schematics

