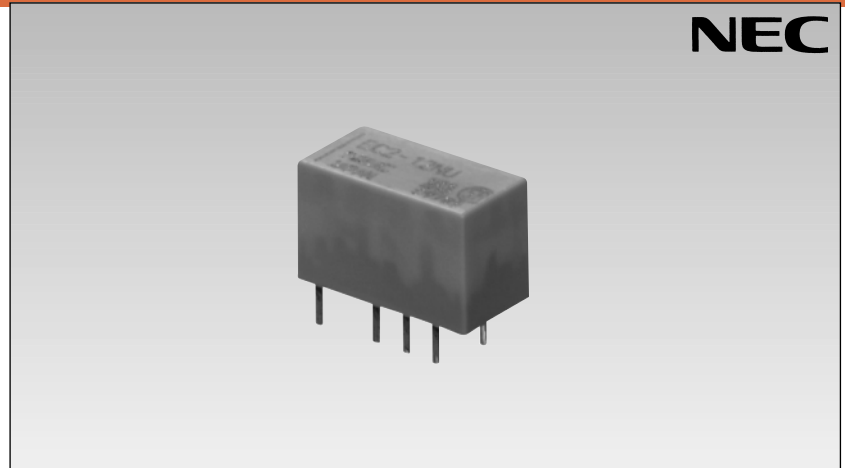


DIL Package on 0.2" pitch

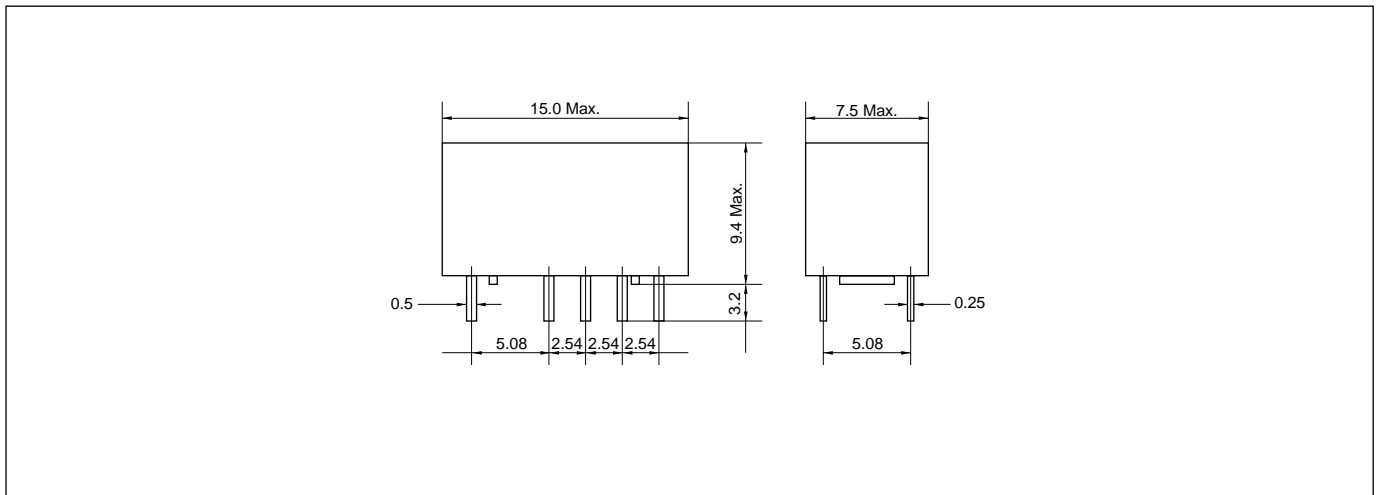
- Ultimate minimal board area
- High sensitivity coil
- Fully sealed for immersion cleaning
- Low magnetic interference
- 2.5 kV Impulse withstand voltage to Bell-Core Specification
- Latching versions available
- UL recognised (E73266), CSA Certified (LR46266)
- EN60950 version available on request



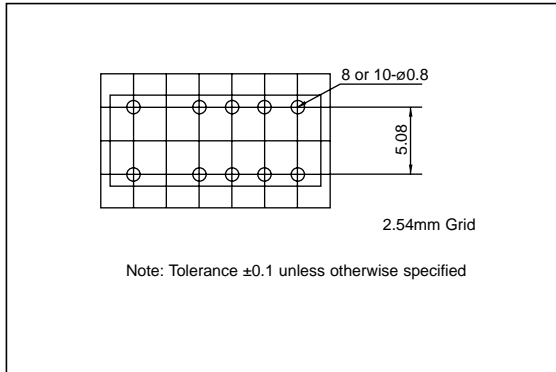
Specifications

Contact form		2 Form C	
Contact rating	Maximum switching power	60 W (resistive)	125 VA (resistive)
	Maximum switching voltage	220 VDC	250 VAC
	Maximum switching current	2 A	
	Maximum carrying current	2 A	
Initial contact resistance		50 mΩ typical	
Contact material		Silver alloy with gold overlay	
Nominal operating power	Non-latch type and double coil latch type	140 mW (3 to 12 V)	
	Single coil latch type	200 mW (24 V)	
Minimum operating power	Non-latch type and double coil latch type	79 mW (3 to 12 V) 113 mW (24 V)	
	Single coil latch type	56 mW	
Operate time (excluding bounce)		Approximately 2 ms without diode	
Release time (excluding bounce)		Approximately 1 ms without diode	
Insulation resistance		1000 MΩ at 500 V. DC	
Breakdown voltage	Between open contacts	1000 VAC (for one minute)	
	Between adjacent contacts	1500 V surge (10 x 150μS)	
	Between coil and contact	1500 VAC (for one minute) 2500 V surge (2 x 10μS)	
Shock resistance		75 G (misoperating)	
Vibration resistance		20 G (misoperating)	
Ambient temperature		-40 to +85°C	
Coil temperature rise		18 degrees at nominal coil voltage (140mW)	
Life expectancy	Mechanical	100 x 10 ⁶ operations	
	Electrical	30 VDC 2 A (resistive), 100 x 10 ⁶ operations 125 VAC 1 A (resistive), 100 x 10 ⁶ operations	
Weight		Approximately 1.9 grams	

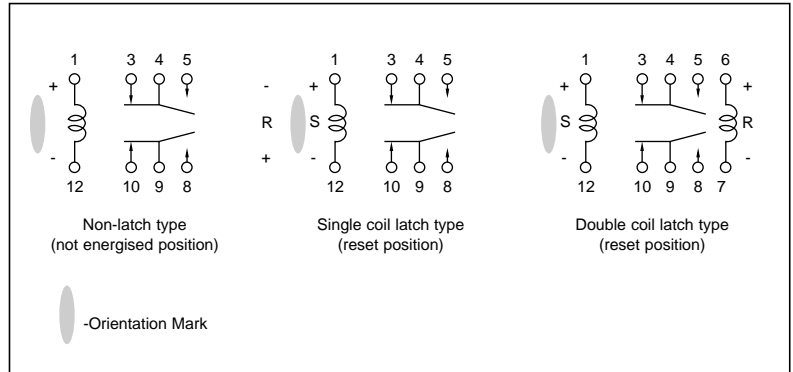
Dimensions mm



PCB layout (bottom view)



Pin configuration (bottom view)



Part Numbers

Standard Type

at 25°C

Part Number		Nominal Coil Voltage (VDC) Range 75% - 150%	Coil Resistance (Ω) $\pm 10\%$	Must Operate Voltage (VDC)	Must Release Voltage (VDC)
Standard Type	UL/CSA Recognised Type				
EC2-3	EC2-3NU	3	64.3	2.25	0.3
EC2-4.5	EC2-4.5NU	4.5	145	3.38	0.45
EC2-5	EC2-5NU	5	178	3.75	0.5
EC2-6	EC2-6NU	6	257	4.5	0.6
EC2-9	EC2-9NU	9	579	6.75	0.9
EC2-12	EC2-12NU	12	1028	9	1.2
EC2-24	EC2-24NU	24	2880	18	2.4

Latching Type (Single Wound Coil)

at 25°C

Part Number		Nominal Coil Voltage (VDC) Range 75% - 150%	Coil Resistance (Ω) $\pm 10\%$	Must Operate Voltage (VDC)	Must Release Voltage (VDC)
Standard Type	UL/CSA Recognised Type				
EC2-3S	EC2-3SNU	3	90	2.25	2.25
EC2-4.5S	EC2-4.5SNU	4.5	202	3.38	3.38
EC2-5S	EC2-5SNU	5	250	3.75	3.75
EC2-6S	EC2-6SNU	6	360	4.5	4.5
EC2-9S	EC2-9SNU	9	810	6.75	6.75
EC2-12S	EC2-12SNU	12	1440	9	9
EC2-24S	EC2-24SNU	24	5760	18	18

Latching Type (Double Wound Coil)

at 25°C

Part Number		Nominal Coil Voltage (VDC) Range 75% - 150%	Coil Resistance (Ω) $\pm 10\%$		Must Operate Voltage (VDC)	Must Release Voltage (VDC)
Standard Type	UL/CSA Recognised Type					
EC2-3T	EC2-3TNU	3	P	64.3	2.25	-
			S	64.3	-	2.25
EC2-4.5T	EC2-4.5TNU	4.5	P	145	3.38	-
			S	145	-	3.38
EC2-5T	EC2-5TNU	5	P	178	3.75	-
			S	178	-	3.75
EC2-6T	EC2-6TNU	6	P	257	4.5	-
			S	257	-	4.5
EC2-9T	EC2-9TNU	9	P	579	6.75	-
			S	579	-	6.75
EC2-12T	EC2-12TNU	12	P	1028	9	-
			S	1028	-	9
EC2-24T	EC2-24TNU	24	P	4114	18	-
			S	4114	-	18

P - Primary (set) coil S - Secondary (reset) coil