

# HALOGEN LAMPS

Ba9s/13 Clear and Black Top

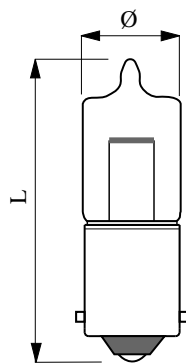


Fig. 5-021

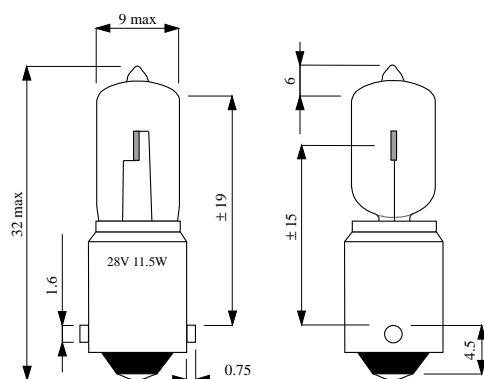


Fig. 5-057

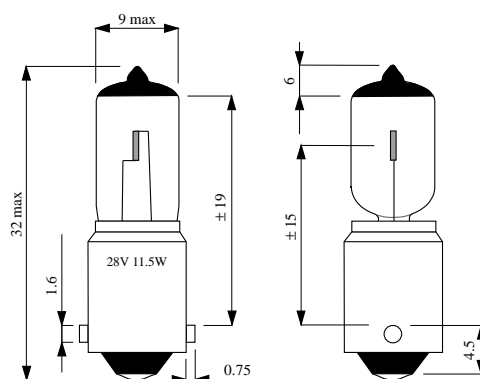


Fig. 5-058

| Article   | Volt |         | Watt | Base | Ø | L  | Finish |           | Fig.  |
|-----------|------|---------|------|------|---|----|--------|-----------|-------|
| 640922900 | 6    |         | 5    | Ba9s | 9 | 31 | clear  |           | 5-021 |
| 640923300 | 6    |         | 10   | Ba9s | 9 | 31 | clear  |           | 5-021 |
| 640923400 | 6    |         | 15   | Ba9s | 9 | 31 | clear  |           | 5-021 |
| 640930958 | 12   |         | 5    | Ba9s | 9 | 31 | clear  | Osram     | 5-021 |
| 640931000 | 12   |         | 5    | Ba9s | 9 | 31 | clear  |           | 5-021 |
| 640931100 | 12   |         | 10   | Ba9s | 9 | 31 | clear  |           | 5-021 |
| 640931300 | 12   |         | 20   | Ba9s | 9 | 31 | clear  |           | 5-021 |
| 640939300 | 24   |         | 5    | Ba9s | 9 | 31 | clear  |           | 5-021 |
| 640939500 | 24   |         | 10   | Ba9s | 9 | 31 | clear  |           | 5-021 |
| 640939700 | 24   |         | 20   | Ba9s | 9 | 31 | clear  |           | 5-021 |
| 640943844 | 28   | UV-stop | 5    | Ba9s | 9 | 31 | clear  |           | 5-021 |
| 640943944 | 28   | UV-stop | 10   | Ba9s | 9 | 31 | clear  |           | 5-021 |
| 640943900 | 28   |         | 10   | Ba9s | 9 | 31 | clear  |           | 5-021 |
| 640944044 | 28   | UV-stop | 20   | Ba9s | 9 | 31 | clear  |           | 5-021 |
| 640842496 | 28   | 133 Lm  | 11.5 | Ba9s | 9 | 31 | clear  |           | 5-057 |
| 640842497 | 28   | 133 Lm  | 11.5 | Ba9s | 9 | 31 | clear  | black top | 5-058 |