

10 Watt

AC/DC - Switching Adapter

- o Universal Input 90-264 VAC
- o Continuous Short Circuit Protection
- o Conductive EMI meets CISPR/FCC Class B
- o High Efficiency, 75% typical
- o AC Plug can be changed



MODEL NUMBER	OUTPUT VOLTAGE	LOAD		RIPPLE & NOISE	VOLTAGE ACCURACY	LINE REGULATION	LOAD REGULATION
		MAX.	MIN.				
TACS10R-3.3	3.3 VDC	1600 mA	0 mA	50 mV	±3%	±1%	±4%
TACS10R-5	5 VDC	1600 mA			±3%		
TACS10R-6	6 VDC	1500 mA			±3%		
TACS10R-7.5	7.5 VDC	1200 mA		1%	±2%		±2%
TACS10R-9	9 VDC	1100 mA					
TACS10R-12	12 VDC	850 mA					
TACS10R-13.6	13.6 VDC	750 mA					
TACS10R-15	15 VDC	700 mA					
TACS10R-18	18 VDC	550 mA					
TACS10R-24	24 VDC	400 mA					

NOTE:

Voltage setpoint at 60% load.

Add a 0.1µF ceramic capacitor and a 10µF E.L. capacitor to output for Ripple & Noise measurement at 20 MHz BW..

Line regulation measurement from 100 Vac to 240 Vac, full load.

Load regulation measurement from 60% to full load and from 60% to 25% load (60% ± 40%load).

SPECIFICATIONS

All Specifications Typical At Nominal Line, 75% Load, and 25°C Unless Otherwise Noted

INPUT SPECIFICATIONS

Input Voltage Range	90-264 VAC
Input Current	0.4 A max.
Inrush Current	30 A max. @ 264 Vac
Input Frequency	47-63 Hz

GENERAL SPECIFICATIONS

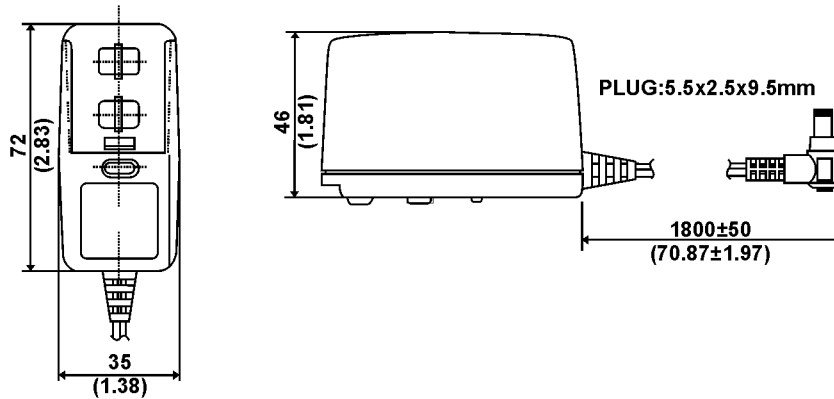
Operating Temperature	0°C to +40°C
Storage Temperature	-20°C to +85°C
Dimensions	72 x 46 x 35 mm (2.83x1.81x1.38 Inches)
Weight	130g (0.29 Pounds)

OUTPUT SPECIFICATIONS

Holdup Time	10 mS typ. @ 115 Vac
Short Circuit Protection	continuous (auto recovery)
Over Current Protection	constant current type

Case and DC-Output Plug

All Dimensions in mm (Inches).



AC-Input Plug

