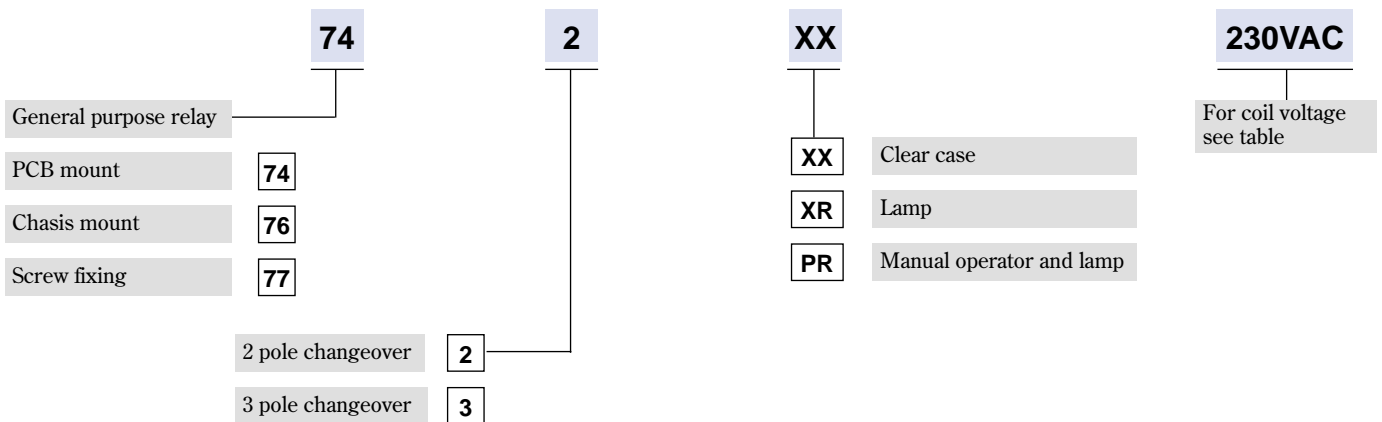


General purpose 10 amp Power Relay available in two and three pole versions

- Arc barriers prevent flashover between contacts
- Manual operator for circuit testing
- LED operator indicator
- High reliability/long life expectancy
- UL, CSA



Options and ordering codes



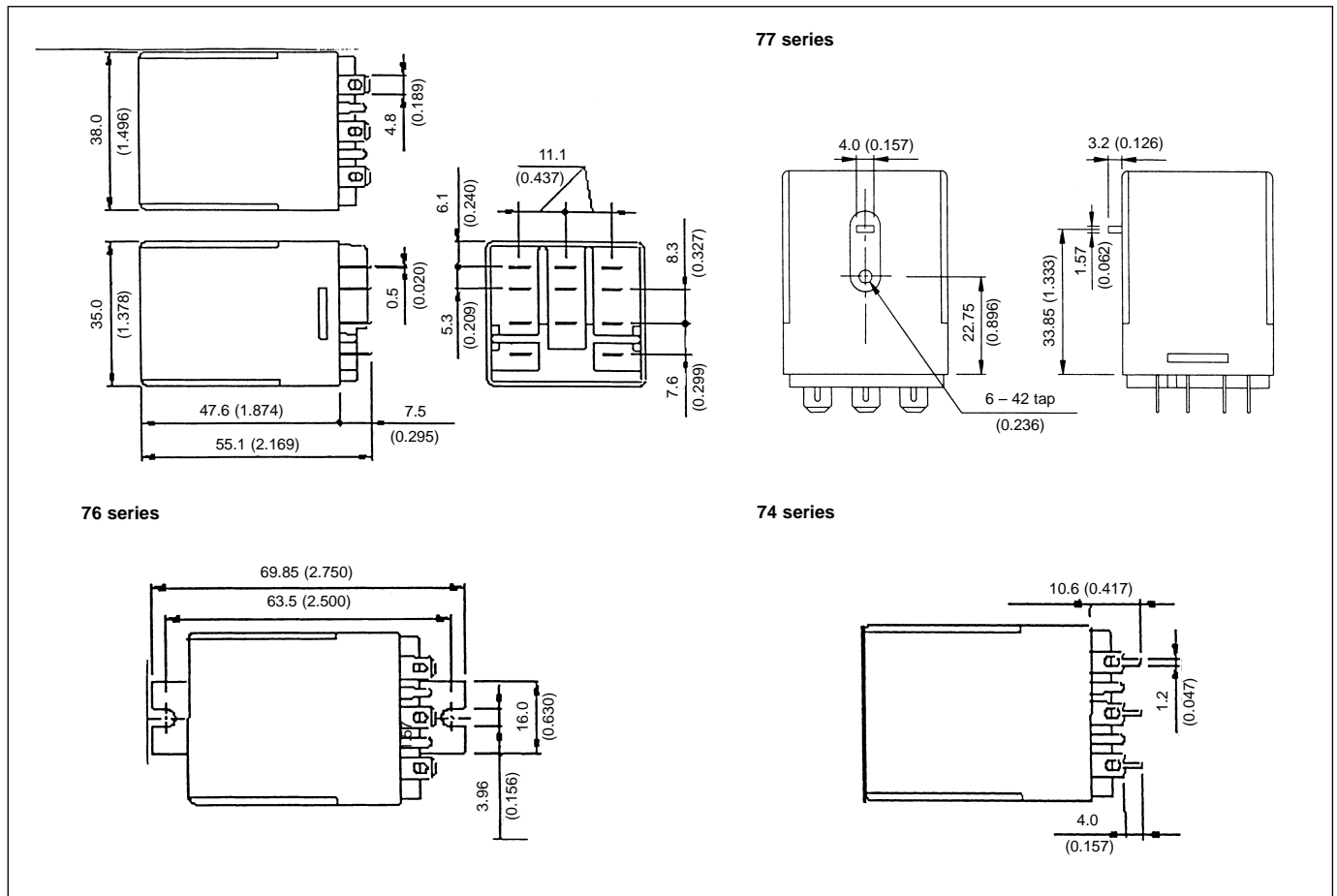
Specifications

	Resistive	Inductive
Rated load	10A@240VAC AC/28VDC	7.5A@240VAC, 5A@28VDC
Rated current	10A	
Maximum switching voltage	240VAC/125VDC	
Maximum switching capacity	2400VA, 280W	1800VA, 140W
Operate time	20ms maximum	
Release time	20ms maximum	
Maximum operate frequency	1800 ops/hr at maximum rated load	
Dielectric strength	1500VAC 50/60Hz for 1 minute	
Ambient operating temperature	-45 ~+70°C	
Mechanical service life	10 million ops minimum	
Electrical service life	100,000 ops at rated load	
Power consumption	2.7VA AC 1.2 watts DC	

Coil Data

Rated Voltage	AC Coils		DC Coils	
	Coil Resistance (Ω)	Rated Current (mA)	Coil Resistance (Ω)	Rated Current (mA)
12	21	-	120	100
24	85	-	472	51
110	1980	-	10000	11
230	9110	-	-	-

Dimensions (mm)



Terminal arrangement

