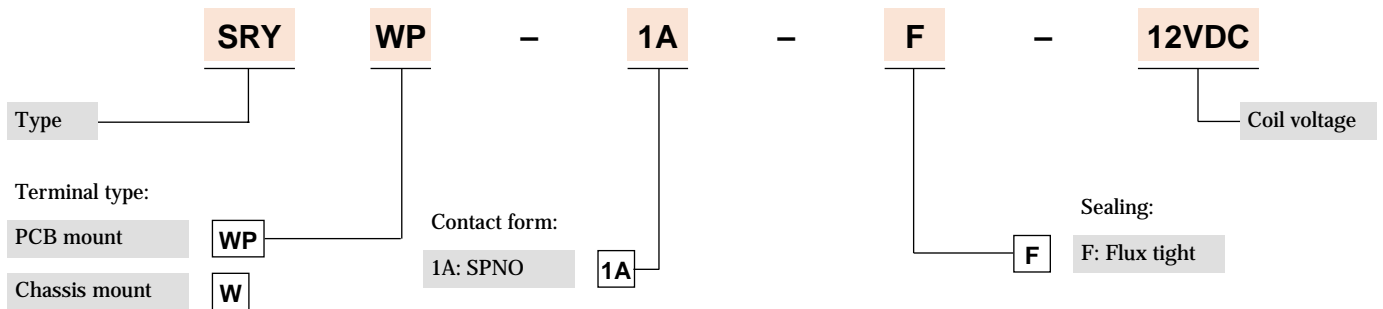


- 1 Form A (SPNO)
- Quick release terminals and PCB mount
- 80A inrush for 400ms
- PCB or chassis mount
- UL/CUR and TUV recognised



Options and ordering codes



Contact rating

Contact form	1A (SPNO)
Maximum switching power	6000VA/750W
Maximum switching voltage	250VAC/30VDC
Maximum switching/carry current	25A (inrush 80A for 400ms)

UL, CUR and TUV safety approval ratings available on request

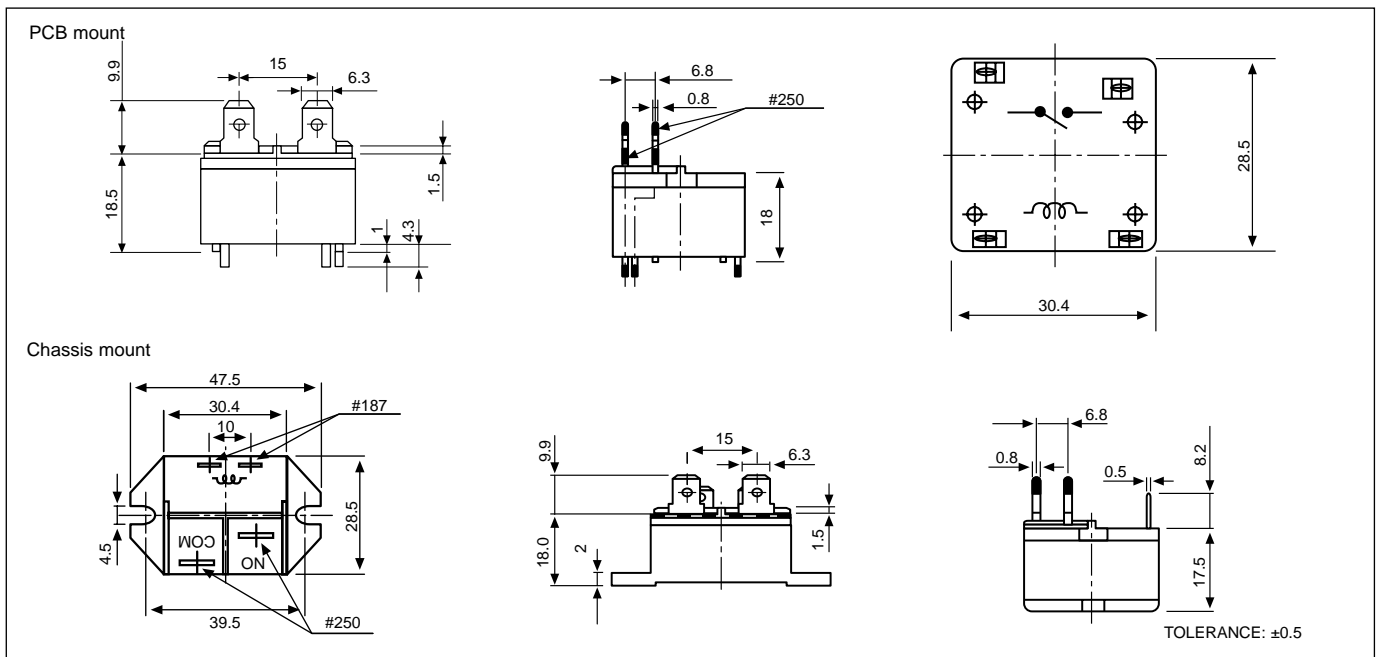
Specifications

Contact material	AgSnInO	
Initial contact resistance	30mΩ Max	
Operate time	20ms Max (at rated voltage)	
Release time	10ms Max (at rated voltage)	
Nominal operating power	Approx. 900mW	
Insulation resistance	100MΩ at 500VDC	
Breakdown voltage	Between coil and contacts	3600VAC (for 1 minute)
	Between open contacts	1200VAC (for 1 minute)
Vibration resistance	Operating extremes	10~50Hz, amplitude 1.0mm
	Damage limits	10~50Hz, amplitude 2.0mm
Shock resistance	Operating extremes	10G
	Damage limits	100G
Ambient temperature	-25~+55°C	
Life expectancy	Mechanical	10 x 10 ⁸ operations (frequency 18,000 operations/hour)
	Electrical (at max load)	1 x 10 ⁵ operations (frequency 1,200 operations/hour)
Weight	31.5g	

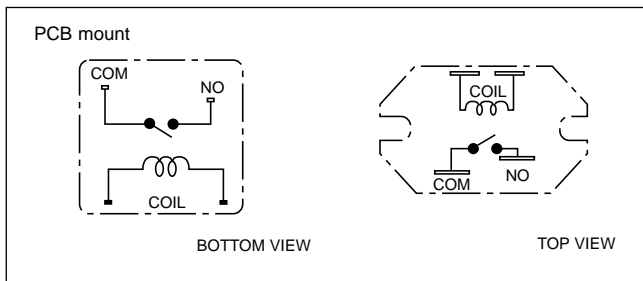
Coil specification SRY

Rated voltage	Rated Current \pm 10% at 25°C (mA)	Coil Resistance \pm 10% at 25°C (Ω)	Max continuous voltage at 25°C	Pick up voltage (Max) at 25°C	Drop out voltage (Min) at 25°C	Power consumption at rated load
5	180	27.8	110% of rated voltage	75% of rated voltage	10% of rated voltage	Approx. 900mW
6	150	40				
9	100	90				
12	75	160				
24	38	640				
48	19	2560				

Dimensions mm



Wiring diagram



PCB layout

